



MODEL 2020SC/4040SC

MINIJACKS

CAPACITY:

4 Point - MODEL 4040SC

40 (36) tons to 16'1/8" (4880 mm)

2 Point - MODEL 2020SC

20 (18) tons to 16'1/8" (4880 mm)

Max. Operating PSI: 1800 (124 bar)

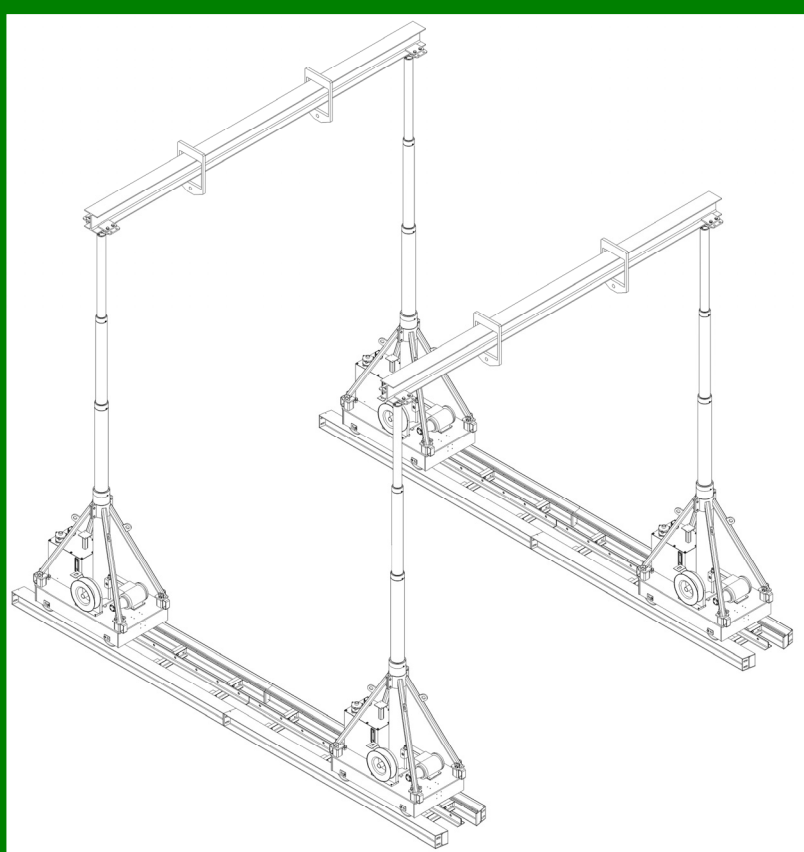
BASE DIMENSIONS:

Length: 51" (1295 mm)

Width: 28" (711 mm)

Height Retracted: 6'1/8" (1832 mm)

Weight: 1850 lbs. (817kg)



STANDARD FEATURES

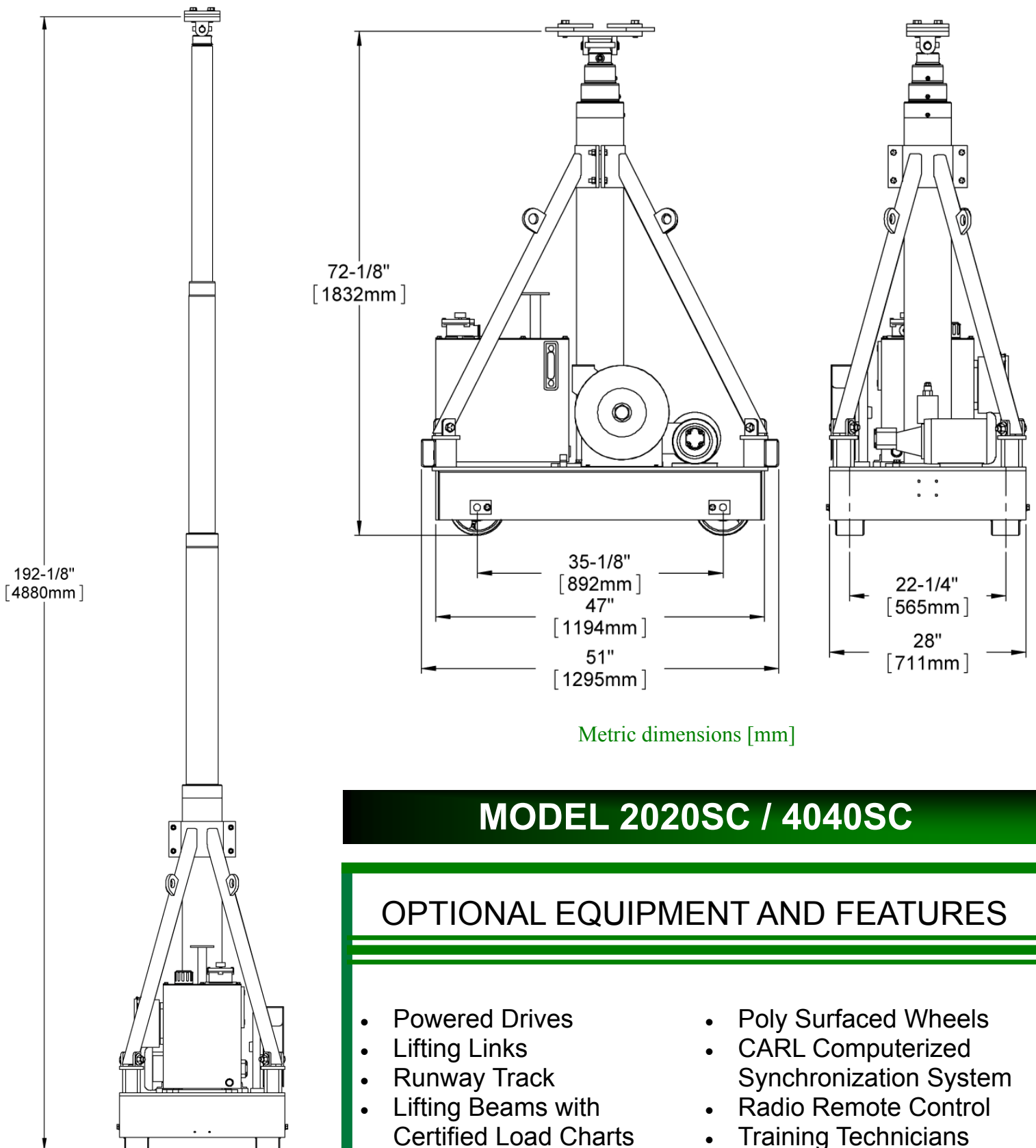
- Double acting cylinders
- Safety holding valves
- Self Contained Hydraulics
- Pendant Control
- Positioning Handle
- 110 volt / 60 Hz / 20 amp draw
- 220 volt power optional
- 14 Gallon (53 l) reservoir
- 1 g.p.m. pump

LIFT SYSTEMS, INC.

OFFICE:
1505 - 7th Street
East Moline, IL 61244

MAILING ADDRESS:
P.O. Box 906
Moline, IL 61266

TEL: +1-309-764-9842
FAX: +1-309-764-9848
EMAIL: liftit@lift-systems.com
WEB: www.lift-systems.com



MODEL 2020SC / 4040SC

OPTIONAL EQUIPMENT AND FEATURES

- Powered Drives
- Lifting Links
- Runway Track
- Lifting Beams with Certified Load Charts
- Side Shift Systems
- Poly Surfaced Wheels
- CARL Computerized Synchronization System
- Radio Remote Control
- Training Technicians

LIFT SYSTEMS, INC.

OFFICE: 1505 - 7th Street East Moline, IL 61244	MAILING ADDRESS: P.O. Box 906 Moline, IL 61266	TEL: +1-309-764-9842 FAX: +1-309-764-9848 EMAIL: liftit@lift-systems.com WEB: www.lift-systems.com
--	---	--